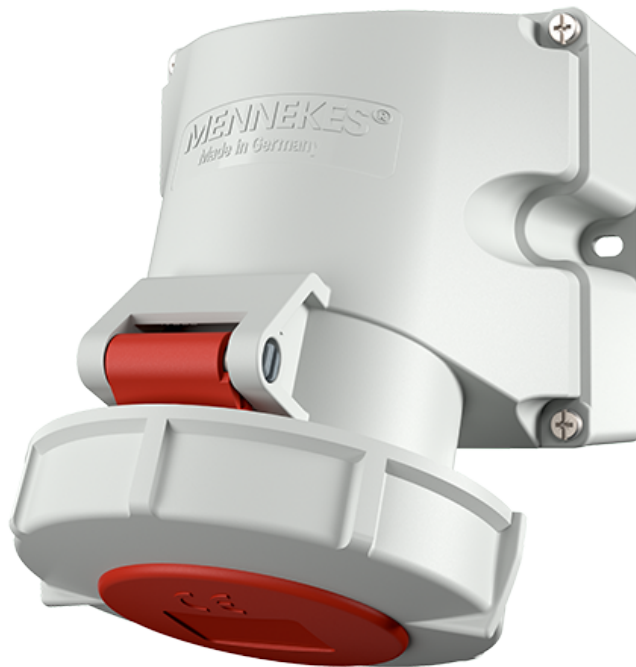


Wall mounted receptacle

Part number: 9382



MENNEKES
Elektrotechnik GmbH & Co. KG

Aloys-Mennekes-Straße 1
57399 Kirchhundem
GERMANY

Product Description

- screw connection technology
- external fixing
- 25° inclination
- enclosure can be turned 180°
- receptacle is designed for adding an auxiliary contact switch

Technical Details

Wall mounted receptacle	9382
Ampere	32A
Number of poles	5p
Clock position	6h
Nominal voltage AC	400V
Nominal frequency	50 - 60 Hz
Protection type IP	IP67
Contact carrier	standard
X-CONTACT	no
Connection	screw terminals
Contact screw drive	PZ2, slot
Screw drive external screws	PZ2, slot
Pilot contact	without pilot contact
Pilot contact switch	no
Cable entry at the top	1 x M32 (optional M25)
Cable entry at the bottom	2 x M25 (blind)
Blind cable entry at the rear	no
Enclosure base can be turned 180°	yes
Insertion direction	angled
Inclination	25°
Type of mounting	external fixing
Highly resistant to chemicals	no
Military version	no
Lockable	no
Tightening torque connection terminal for cable cross-section 1,0 - 1,5 mm ²	0.6 Nm

Wall mounted receptacle	9382
Tightening torque connection terminal for cable cross-section 2,5 - 4,0 mm ²	0.8 Nm
Tightening torque connection terminal for cable cross-section 6 - 10 mm ²	1.2 Nm
Strip length PH + N solid conductor	12 - 17 mm
Strip length PE solid conductor	12 - 17 mm
Conductor cross-section min.	2.5 mm ²
Conductor cross-section max.	6 mm ²
Weight (net)	566 g
Packaging unit	5 pcs
Quantity per pallet	330 pcs
EAN / identification number	4015394281764

Permissible ambient conditions	Min.	Max.
	Permissible ambient temperature	-25 °C
Average temperature over 24 hours		35 °C

Material properties	
Base	PC/PET light grey [similar RAL 7035]
Upper part	PBT/PC light grey [similar RAL 7035]
Hinged lid	PA6 red [similar RAL 3013]
	TPE black [similar RAL 9005]
	PBT/PC squirrel grey [similar RAL 7000]
External screws	steel bare

Material resistance

The material resistance overview can be found on the website in the section “Knowledge” - “Product knowledge” - “Materials”.

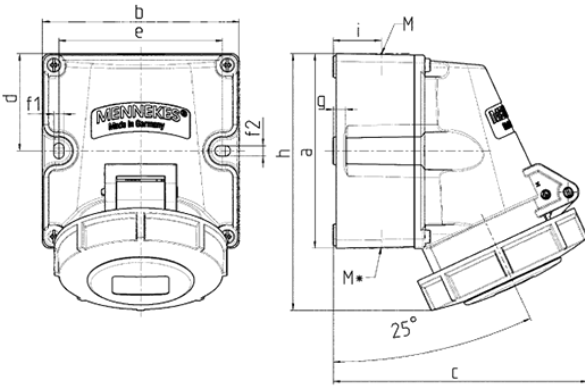
Material and environmental properties

RoHS 2011/65/EU incl. 2015/863/EU	✓
POP regulation (EU) 2019/1021	✓
Halogen-free	no

Regulations and Standards

Norm	DIN EN IEC 60309-2
Declaration of Conformity	CE
Test label	CB Zertifikat, VDE, EAC, CQC

Dimensional Drawing



Drawing 1 MB 622	Amp. Poles	16			32		
		3	4	5	3	4	5
Dim. in mm	a	100	100	100	100	100	100
	b	101	101	101	109	109	109
	c	117	125	131	157	157	160
	d	50	50	50	50	50	50
	e	84	84	84	92	92	92
	f1	5.3	5.3	5.3	5.3	5.3	5.3
	f2	5.3	5.3	5.3	5.3	5.3	5.3
	g	6.5	6.5	6.5	6.5	6.5	6.5
	h	131	131	132	148	148	148
	i	24.7	24.7	24.7	27.5	27.5	27.5
	M	25 (optional M20)			32 (optional M25)		
	M*	2x25 (blind) to be cut out 18 (M25) and 15 (M20)			2x25 (blind) to be cut out 25 (M32) and 18 (M25)		
Max. cable diam. (mm)		1.5	1.5	1.5	2.5	2.5	2.5
Terminal for cond. cross section (mm ²) min.-max.		—4	—4	—4	—6	—6	—6