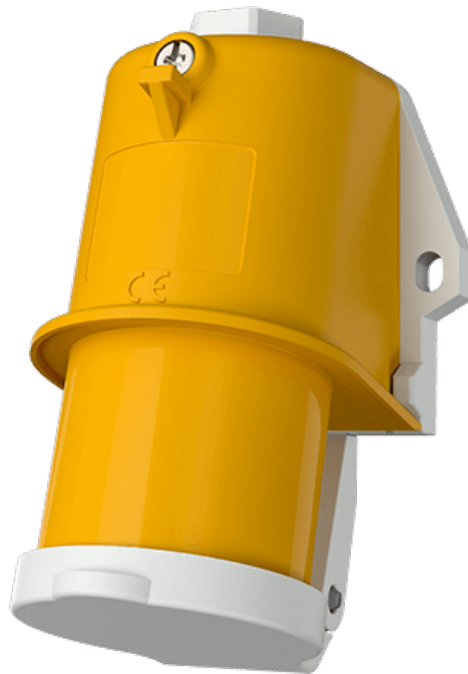


# Wall mounted inlet

Part number: 846



**MENNEKES**  
Elektrotechnik GmbH & Co. KG

Aloys-Mennekes-Straße 1  
57399 Kirchhundem  
GERMANY

# Product Description

- screw connection technology
- prepared for internal fixing, external fixing
- 15° inclination
- with protective cap attached by a strap

# Technical Details

Wall mounted inlet	846
Ampere	16A
Number of poles	3p
Clock position	4h
Nominal voltage AC	110V
Nominal frequency	50 - 60 Hz
Protection type IP	IP44
Contact carrier	standard
Connection	screw terminals
Tightening torque connection terminal	PZ2, slot
Tightening torque external screws	PZ2, slot
Phase inverter	without phase inverter
Pilot contact	without pilot contact
Cable entry at the top	1 x M20x1,5
Blind cable entry at the rear	no
Enclosure base can be turned 180°	no
Insertion direction	angled
Inclination	15°
Type of mounting	prepared for internal fixing, external fixing
Military version	no
Protection cap	with protection cap
Tightening torque connection terminal for cable cross-section 1,0 - 1,5 mm <sup>2</sup>	0.6 Nm
Tightening torque connection terminal for cable cross-section 2,5 - 4,0 mm <sup>2</sup>	0.8 Nm
Recommended wire end treatment for supply cable connection terminal	ferrule square gasproof crimped

<b>Wall mounted inlet</b>	<b>846</b>
Strip length conductor	8 - 10 mm
Conductor cross-section min.	1 mm <sup>2</sup>
Conductor cross-section max.	2.5 mm <sup>2</sup>
Weight (net)	140 g
Packaging unit	10 Stück
Quantity per pallet	880 Stück
EAN / identification number	4015394133599

**Permissible ambient conditions**

	Min.	Max.
Permanent ambient temperature	-25 °C	40 °C
Average temperature over 24 hours		35 °C

**Material properties**

Base	PA6 light grey [similar RAL 7035]
Upper part	PA6 yellow [similar RAL 1021]
Protective cap	PA6 light grey [similar RAL 7035]
External screws	galvanised steel

**Material resistance**

The material resistance overview can be found on the website in the section “Knowledge” - “Product knowledge” - “Materials”.

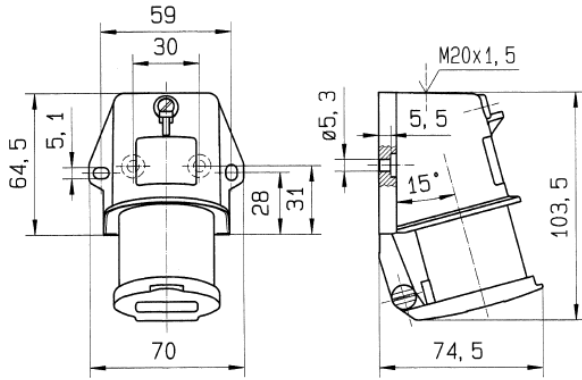
**Material and enviromental properties**

RoHS 2011/65/EU incl. 2015/863/EU	✓
POP regulation (EU) 2019/1021	✓

Regulations and Standards

Norm	DIN EN IEC 60309-2
Declaration of Conformity	CE
Test label	VDE, EAC, CQC

# Dimensional Drawing



Drawing  
2 MB 212

Dim. in mm