

Wall mounted inlet

Part number: 802



MENNEKES
Elektrotechnik GmbH & Co. KG

Aloys-Mennekes-Straße 1
57399 Kirchhundem
GERMANY

Product Description

- screw connection technology
- prepared for internal fixing, external fixing
- 15° inclination
- enclosure base with stamped recess for quick cutting out
- cable entry also possible on the back side

Technical Details

| Wall mounted inlet | 802 |
|---|---|
| Ampere | 32A |
| Number of poles | 3p |
| Clock position | 6h |
| Nominal voltage AC | 230V |
| Nominal frequency | 50 - 60 Hz |
| Protection type IP | IP44 |
| Contact carrier | standard |
| Connection | screw terminals |
| Tightening torque connection terminal | PZ2, slot |
| Tightening torque external screws | PZ2, slot |
| Phase inverter | without phase inverter |
| Pilot contact | without pilot contact |
| Cable entry at the top | 1 x M25x1,5 |
| Blind cable entry at the rear | yes |
| Enclosure base can be turned 180° | no |
| Insertion direction | angled |
| Inclination | 15° |
| Type of mounting | prepared for internal fixing, external fixing |
| Military version | no |
| Protection cap | without protection cap |
| Tightening torque connection terminal for cable cross-section 2,5 - 4,0 mm ² | 0.8 Nm |
| Tightening torque connection terminal for cable cross-section 6,0 mm ² | 1.2 Nm |
| Recommended wire end treatment for supply cable connection terminal | ferrule square gasproof crimped |

| | |
|------------------------------|---------------------|
| Wall mounted inlet | 802 |
| Strip length conductor | 12 - 17 mm |
| Conductor cross-section min. | 2.5 mm ² |
| Conductor cross-section max. | 6 mm ² |
| Weight (net) | 240 g |
| Packaging unit | 10 Stück |
| Quantity per pallet | 540 Stück |
| EAN / identification number | 4015394216124 |

| Permissible ambient conditions | | |
|-----------------------------------|--------|-------|
| | Min. | Max. |
| Permanent ambient temperature | -25 °C | 40 °C |
| Average temperature over 24 hours | | 35 °C |

| Material properties | |
|---------------------|-----------------------------------|
| Base | PA6 light grey [similar RAL 7035] |
| Upper part | PA6 blue [similar RAL 5007] |
| Front part | PA6 blue [similar RAL 5007] |
| External screws | galvanised steel |

Material resistance

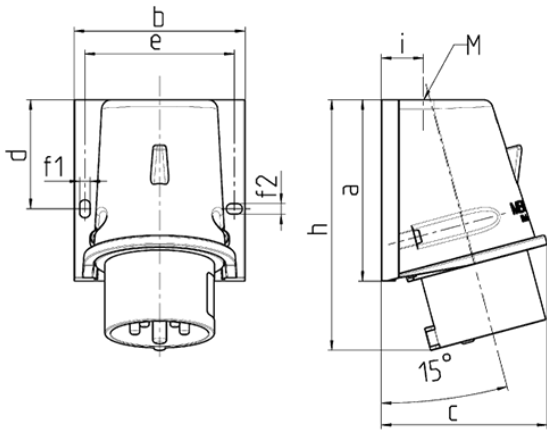
The material resistance overview can be found on the website in the section “Knowledge” - “Product knowledge” - “Materials”.

| Material and enviromental properties | |
|--------------------------------------|---|
| RoHS 2011/65/EU incl. 2015/863/EU | ✓ |
| POP regulation (EU) 2019/1021 | ✓ |

Regulations and Standards

| | |
|---------------------------|--------------------|
| Norm | DIN EN IEC 60309-2 |
| Declaration of Conformity | CE |
| Test label | VDE, EAC |

Dimensional Drawing



| Drawing | Amp. Poles | 16 | | 32 | | |
|------------|---------------|--------|--------|--------|--------|--------|
| | | 4 | 5 | 3 | 4 | 5 |
| 2 MB 221 | | | | | | |
| Dim. in mm | a | 92.5 | 92.5 | 102 | 102 | 102 |
| | b | 87 | 87 | 94 | 94 | 94 |
| | c | 84.5 | 84.5 | 94 | 94 | 94 |
| | d | 55.5 | 55.5 | 62 | 62 | 62 |
| | e | 76 | 76 | 84 | 84 | 84 |
| | f1 | 5.3 | 5.3 | 5.3 | 5.3 | 5.3 |
| | f2 | 5.3 | 5.3 | 5.3 | 5.3 | 5.3 |
| | h | 128 | 128 | 146 | 146 | 146 |
| | i | 21.5 | 21.5 | 26 | 26 | 26 |
| | M | 25x1.5 | 25x1.5 | 25x1.5 | 25x1.5 | 32x1.5 |