

# Surface mounted inlet

Part number: 390



**MENNEKES**  
Elektrotechnik GmbH & Co. KG

Aloys-Mennekes-Straße 1  
57399 Kirchhundem  
GERMANY

# Product Description

- screw connection technology
- external fixing
- 10° inclination

# Technical Details

Surface mounted inlet	390
Ampere	32A
Number of poles	5P
Clock position	9h
Nominal voltage AC	230V
Nominal frequency	50 - 60 Hz
Protection type IP	IP44
Contact carrier	standard
Connection	screw terminals
Tightening torque connection terminal	PZ2, slot
Phase inverter	without phase inverter
Pilot contact	without pilot contact
Flange dimensions	75 x 90 mm
Hole spacings	45 x 78 mm
Insertion direction	angled
Inclination	10°
Type of mounting	external fixing
Military version	no
Protection cap	without protection cap
Tightening torque connection terminal for cable cross-section 2,5 - 4,0 mm <sup>2</sup>	0.8 Nm
Tightening torque connection terminal for cable cross-section 6,0 mm <sup>2</sup>	1.2 Nm
Recommended wire end treatment for supply cable connection terminal	ferrule square gasproof crimped
Strip length conductor	12 - 17 mm
Conductor cross-section min.	2.5 mm <sup>2</sup>
Conductor cross-section max.	6 mm <sup>2</sup>

Surface mounted inlet	390
Weight (net)	245 g
Packaging unit	10 Stück
Quantity per pallet	660 Stück
EAN / identification number	4015394002826

Permissible ambient conditions		
	Min.	Max.
Permanent ambient temperature	-25 °C	40 °C
Average temperature over 24 hours		35 °C

Material properties	
Housing	PA6 blue [similar RAL 5007]

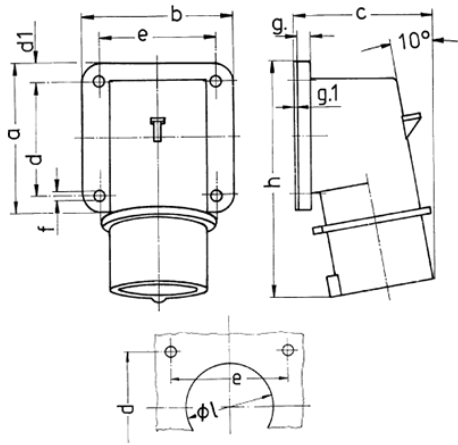
**Material resistance**

The material resistance overview can be found on the website in the section “Knowledge” - “Product knowledge” - “Materials”.

Material and enviromental properties	
RoHS 2011/65/EU incl. 2015/863/EU	✓
POP regulation (EU) 2019/1021	✓

Regulations and Standards	
Norm	DIN EN IEC 60309-2
Declaration of Conformity	CE

# Dimensional Drawing



Drawing	Amp. Poles	16		32		
		4	5	3	4	5
2 MB 73						
Dim. in mm	a	85	85	75	75	75
	b	85	85	90	90	90
	c	75	79	87	87	90
	d	64	64	45	45	45
	d1	10	10	13	13	13
	e	64	64	78	78	78
	f	5.5	5.5	5.5	5.5	5.5
	g.	6	6	6	6	6
	g.1	2	2	2	2	2
	h	129	129	137	137	138
	l	50	50	55	55	55
	Terminal for cond. cross section (mm <sup>2</sup> ) min.-max.	1	1	2.5	2.5	2.5
		-2.5	-2.5	-6	-6	-6