

# Panel mounted receptacle

Part number: 3524



**MENNEKES**  
Elektrotechnik GmbH & Co. KG

Aloys-Mennekes-Straße 1  
57399 Kirchhundem  
GERMANY

# Product Description

- screw connection technology
- 20° inclination
- receptacle is designed for adding an auxiliary contact switch

# Technical Details

Panel mounted receptacle	3524
Ampere	32A
Number of poles	5p
Clock position	6h
Nominal voltage AC	400V
Nominal frequency	50 - 60 Hz
Protection type IP	IP67
Contact carrier	standard
X-CONTACT	no
Connection	screw terminals
Contact screw drive	PZ2, slot
Pilot contact	without pilot contact
Pilot contact switch	no
Flange dimensions	85 x 85 mm
Hole spacings	70 x 70 mm
Insertion direction	angled
Inclination	20°
Highly resistant to chemicals	no
Military version	no
Tightening torque connection terminal for cable cross-section 1,0 - 1,5 mm <sup>2</sup>	0.6 Nm
Tightening torque connection terminal for cable cross-section 2,5 - 4,0 mm <sup>2</sup>	0.8 Nm
Tightening torque connection terminal for cable cross-section 6 - 10 mm <sup>2</sup>	1.2 Nm
Strip length PH + N flexible conductor	12 - 17 mm
Strip length PE flexible conductor	12 - 17 mm
Strip length PH + N solid conductor	12 - 17 mm

Panel mounted receptacle	3524
Strip length PE solid conductor	12 - 17 mm
Conductor cross-section min.	2.5 mm <sup>2</sup>
Conductor cross-section max.	10 mm <sup>2</sup>
Weight (net)	326 g
Packaging unit	10 pcs
Quantity per pallet	660 pcs
EAN / identification number	4015394203063

Permissible ambient conditions

	Min.	Max.
Permissible ambient temperature	-25 °C	40 °C
Average temperature over 24 hours		35 °C

Material properties

Housing	PA6 light grey [similar RAL 7035]
Hinged lid	PA6 red [similar RAL 3013]
	TPE black [similar RAL 9005]
	PBT/PC squirrel grey [similar RAL 7000]

Material resistance

The material resistance overview can be found on the website in the section “Knowledge” - “Product knowledge” - “Materials”.

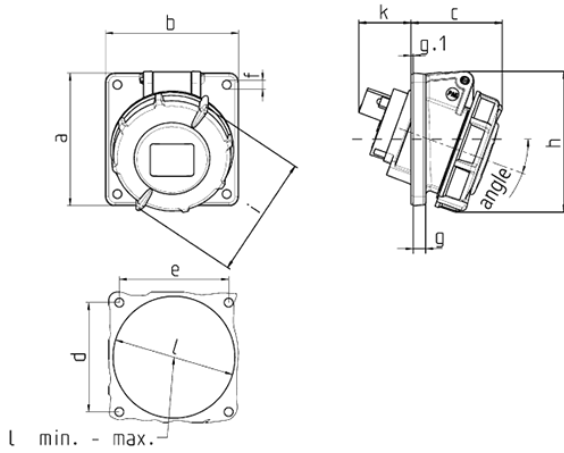
Material and environmental properties

RoHS 2011/65/EU incl. 2015/863/EU	✓
POP regulation (EU) 2019/1021	✓
Halogen-free	no

Regulations and Standards

Norm	DIN EN IEC 60309-2
Declaration of Conformity	CE
Test label	CB Zertifikat, EAC, CQC, VDE

# Dimensional Drawing



Drawing	Amp. Poles	16			32		
		3	4	5	3	4	5
<b>1 MB 452</b>							
Dim. in mm	a	85	85	85	85	85	85
	b	85	85	85	85	85	85
	c	57	59	60	68	68	72
	d	70	70	70	70	70	70
	e	70	70	70	70	70	70
	f	5.5	5.5	5.5	5.5	5.5	5.5
	g	8	8	8	8	8	8
	g.1	2	2	2	2	2	2
	h	87	91	99	105	105	110
	i	78	85	96	103	103	110
	k	39	34	33	53	53	41
	l min.	57	64	70	78	78	78
	l max.	78	78	78	78	78	78
Terminal for cond. cross section (mm <sup>2</sup> ) min.-max.		1.5	1.5	1.5	2.5	2.5	2.5
		-4	-4	-4	-10	-10	-10