

# Panel mounted receptacle

Part number: 3283



**MENNEKES**  
Elektrotechnik GmbH & Co. KG

Aloys-Mennekes-Straße 1  
57399 Kirchhundem  
GERMANY

# Product Description

- frame terminals
- X-CONTACT
- straight insertion direction
- rubberised bayonet ring

# Technical Details

| Panel mounted receptacle              | 3283                  |
|---------------------------------------|-----------------------|
| Ampere                                | 125A                  |
| Number of poles                       | 5p                    |
| Clock position                        | 7h                    |
| Nominal voltage AC                    | 500V                  |
| Nominal frequency                     | 50 - 60 Hz            |
| Protection type IP                    | IP67                  |
| Contact carrier                       | standard              |
| X-CONTACT                             | yes                   |
| Connection                            | frame terminals       |
| Contact screw drive                   | allen key             |
| Pilot contact                         | without pilot contact |
| Pilot contact switch                  | no                    |
| Flange dimensions                     | 130 x 130 mm          |
| Hole spacings                         | 104 x 104 mm          |
| Insertion direction                   | straight              |
| Highly resistant to chemicals         | no                    |
| Military version                      | no                    |
| Tightening torque connection terminal | 10 Nm                 |
| Conductor cross-section min.          | 25 mm <sup>2</sup>    |
| Conductor cross-section max.          | 70 mm <sup>2</sup>    |
| Weight (net)                          | 1256 g                |
| Packaging unit                        | 5 pcs                 |
| Quantity per pallet                   | 240 pcs               |
| EAN / identification number           | 4015394018513         |

Permissible ambient conditions

|                                   | Min.   | Max.  |
|-----------------------------------|--------|-------|
| Permissible ambient temperature   | -25 °C | 40 °C |
| Average temperature over 24 hours |        | 35 °C |

Material properties

|            |   |
|------------|---|
| Front part | PC black [similar RAL 9005]             |
| Flange     | PC light grey [similar RAL 7035]        |
| Hinged lid | PBT/PC black [similar RAL 9005]         |
|            | TPE black [similar RAL 9005]            |
|            | PBT/PC squirrel grey [similar RAL 7000] |
|            | TPE anthracite [similar RAL 7016]       |

Material resistance

The material resistance overview can be found on the website in the section “Knowledge” - “Product knowledge” - “Materials”.

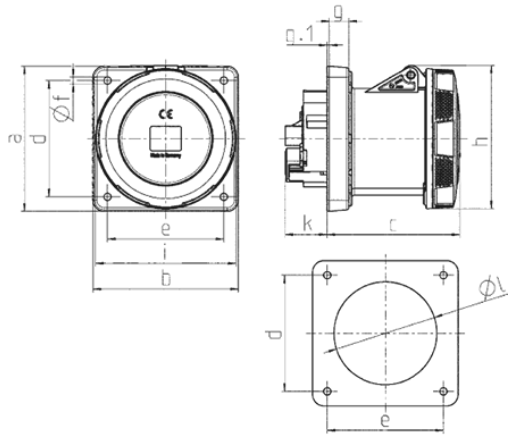
Material and environmental properties

|                                   |    |
|-----------------------------------|----|
| RoHS 2011/65/EU incl. 2015/863/EU | ✓  |
| POP regulation (EU) 2019/1021     | ✓  |
| Halogen-free                      | no |

Regulations and Standards

|                           |                    |
|---------------------------|--------------------|
| Norm                      | DIN EN IEC 60309-2 |
| Declaration of Conformity | CE                 |
| Test label                | EAC, CQC           |

# Dimensional Drawing



| Drawing<br>1 MB 258<br>Dim. in mm                             | Amp.<br>Poles | 125    |        |
|---|---------------|--------|--------|
|   |               | 4      | 5      |
| a   |               | 130    | 130    |
| b   |               | 130    | 130    |
| c   |               | 119    | 119    |
| d   |               | 104    | 104    |
| e   |               | 104    | 104    |
| f   |               | 6.5    | 6.5    |
| g.  |               | 18     | 18     |
| g.1   |               | 2      | 2      |
| h   |               | 129    | 129    |
| i   |               | 126    | 126    |
| k   |               | 43     | 43     |
| l   |               | 98     | 98     |
| Terminal for cond. cross section (mm <sup>2</sup> ) min.-max. |               | 25 —70 | 25 —70 |