

Panel mounted receptacle

Part number: 3140



MENNEKES
Elektrotechnik GmbH & Co. KG

Aloys-Mennekes-Straße 1
57399 Kirchhundem
GERMANY

Product Description

- screw connection technology
- 20° inclination
- receptacle is designed for adding an auxiliary contact switch

Technical Details

| Panel mounted receptacle | 3140 |
|---|-----------------------|
| Ampere | 32A |
| Number of poles | 4p |
| Clock position | 9h |
| Nominal voltage AC | 230V |
| Nominal frequency | 50 - 60 Hz |
| Protection type IP | IP44 |
| Contact carrier | standard |
| X-CONTACT | no |
| Connection | screw terminals |
| Contact screw drive | PZ2, slot |
| Pilot contact | without pilot contact |
| Pilot contact switch | no |
| Flange dimensions | 85 x 85 mm |
| Hole spacings | 70 x 70 mm |
| Insertion direction | angled |
| Inclination | 20° |
| Highly resistant to chemicals | no |
| Military version | no |
| Tightening torque connection terminal for cable cross-section 1,0 - 1,5 mm ² | 0.6 Nm |
| Tightening torque connection terminal for cable cross-section 2,5 - 4,0 mm ² | 0.8 Nm |
| Tightening torque connection terminal for cable cross-section 6 - 10 mm ² | 1.2 Nm |
| Strip length PH + N flexible conductor | 12 - 17 mm |
| Strip length PE flexible conductor | 12 - 17 mm |
| Strip length PH + N solid conductor | 12 - 17 mm |

| | |
|---------------------------------|---------------------|
| Panel mounted receptacle | 3140 |
| Strip length PE solid conductor | 12 - 17 mm |
| Conductor cross-section min. | 2.5 mm ² |
| Conductor cross-section max. | 10 mm ² |
| Weight (net) | 120 g |
| Packaging unit | 10 pcs |
| Quantity per pallet | 660 pcs |
| EAN / identification number | 4015394216018 |

Permissible ambient conditions

| | Min. | Max. |
|-----------------------------------|--------|-------|
| Permissible ambient temperature | -25 °C | 40 °C |
| Average temperature over 24 hours | | 35 °C |

Material properties

| | |
|------------|-----------------------------------|
| Housing | PA6 light grey [similar RAL 7035] |
| Hinged lid | PC blue [similar RAL 5007] |

Material resistance

The material resistance overview can be found on the website in the section “Knowledge” - “Product knowledge” - “Materials”.

Material and environmental properties

| | |
|-----------------------------------|-----|
| RoHS 2011/65/EU incl. 2015/863/EU | ✓ |
| POP regulation (EU) 2019/1021 | ✓ |
| Halogen-free | yes |

Regulations and Standards

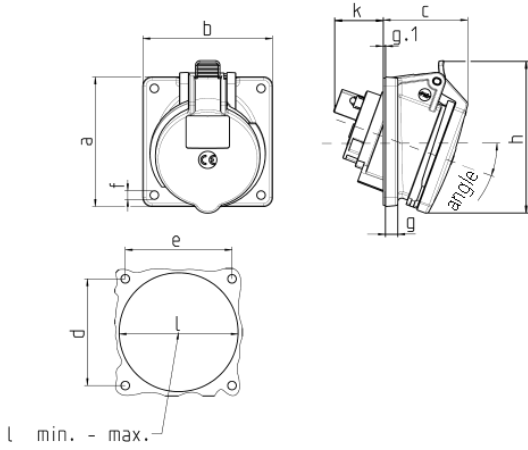
Norm

DIN EN IEC 60309-2

Declaration of Conformity

CE

Dimensional Drawing



| Drawing | Amp. Poles | 16 | | | 32 | | |
|---|---------------|-----|-----|-----|-----|-----|-----|
| | | 3 | 4 | 5 | 3 | 4 | 5 |
| 1 MB 453 | | | | | | | |
| Dim. in mm | a | 85 | 85 | 85 | 85 | 85 | 85 |
| | b | 85 | 85 | 85 | 85 | 85 | 85 |
| | c | 53 | 57 | 57 | 60 | 60 | 67 |
| | d | 70 | 70 | 70 | 70 | 70 | 70 |
| | e | 70 | 70 | 70 | 70 | 70 | 70 |
| | f | 5.5 | 5.5 | 5.5 | 5.5 | 5.5 | 5.5 |
| | g | 8 | 8 | 8 | 8 | 8 | 8 |
| | g.1 | 2 | 2 | 2 | 2 | 2 | 2 |
| | h | 89 | 96 | 101 | 103 | 103 | 110 |
| | k | 39 | 34 | 33 | 53 | 53 | 41 |
| | l min. | 57 | 64 | 70 | 78 | 78 | 78 |
| | l max. | 78 | 78 | 78 | 78 | 78 | 78 |
| Terminal for cond. cross section (mm ²) min.-max. | | 1.5 | 1.5 | 1.5 | 2.5 | 2.5 | 2.5 |
| | | -4 | -4 | -4 | -10 | -10 | -10 |