

Wall mounted receptacle

Part number: 27005



MENNEKES
Elektrotechnik GmbH & Co. KG

Aloys-Mennekes-Straße 1
57399 Kirchhundem
GERMANY

Product Description

- screw connection technology
- external fixing, prepared for internal fixing
- 15° inclination
- Due to different manufacturing processes, the item may be delivered with either an adhesive or a laser-engraved nameplate.

Technical Details

| Wall mounted receptacle | 27005 |
|---|---|
| Ampere | 32A |
| Number of poles | 3p |
| Clock position | 6h |
| Nominal voltage AC | 230V |
| Nominal frequency | 50 - 60 Hz |
| Protection type IP | IP44 |
| Contact carrier | standard |
| X-CONTACT | no |
| Connection | screw terminals |
| Contact screw drive | PZ2, slot |
| Screw drive external screws | PZ2, slot |
| Pilot contact | without pilot contact |
| Pilot contact switch | no |
| Cable entry at the top | 1 x M25x1,5 |
| Blind cable entry at the rear | no |
| Enclosure base can be turned 180° | no |
| Insertion direction | angled |
| Inclination | 15° |
| Type of mounting | external fixing, prepared for internal fixing |
| Highly resistant to chemicals | no |
| Military version | no |
| Lockable | no |
| Tightening torque connection terminal for cable cross-section 1,0 - 1,5 mm ² | 0.6 Nm |
| Tightening torque connection terminal for cable cross-section 2,5 - 4,0 mm ² | 0.8 Nm |

| | |
|--|---------------------|
| Wall mounted receptacle | 27005 |
| Tightening torque connection terminal for cable cross-section 6 - 10 mm ² | 1.2 Nm |
| Strip length jacket | 100 mm |
| Strip length PH + N solid conductor | 12 - 17 mm |
| Strip length PE solid conductor | 12 - 17 mm |
| Conductor cross-section min. | 2.5 mm ² |
| Conductor cross-section max. | 6 mm ² |
| Weight (net) | 335 g |
| Packaging unit | 10 pcs |
| Quantity per pallet | 540 pcs |
| EAN / identification number | 4015394287698 |

| Permissible ambient conditions | | |
|-----------------------------------|--------|-------|
| | Min. | Max. |
| Permissible ambient temperature | -25 °C | 40 °C |
| Average temperature over 24 hours | | 35 °C |

| Material properties | |
|---------------------|-----------------------------------|
| Base | PA6 light grey [similar RAL 7035] |
| Upper part | PA6 blue [similar RAL 5007] |
| Front part | PA6 blue [similar RAL 5007] |
| Hinged lid | PC blue [similar RAL 5007] |
| External screws | steel galvanised |

Material resistance

The material resistance overview can be found on the website in the section “Knowledge” - “Product knowledge” - “Materials”.

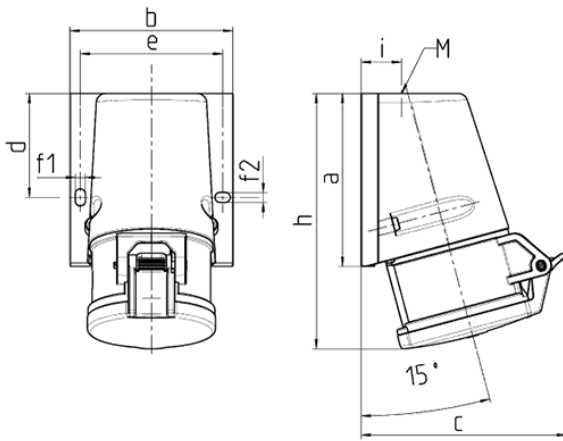
Material and environmental properties

| | |
|-----------------------------------|-----|
| RoHS 2011/65/EU incl. 2015/863/EU | ✓ |
| POP regulation (EU) 2019/1021 | ✓ |
| Halogen-free | yes |

Regulations and Standards

| | |
|---------------------------|------------------------------|
| Norm | DIN EN IEC 60309-2 |
| Declaration of Conformity | CE |
| Test label | CB Zertifikat, VDE, EAC, CQC |

Dimensional Drawing



| Drawing 1 MB 463 | Amp. Poles | 16 | | | 32 | | |
|---------------------|---|------|-------|-------|-------|-------|-------|
| | | 3 | 4 | 5 | 3 | 4 | 5 |
| Dim. in mm | a | 95 | 93 | 92.5 | 102 | 102 | 102 |
| | b | 73.5 | 87.5 | 87.5 | 94 | 94 | 94 |
| | c | 93 | 107.5 | 110 | 115.5 | 115.5 | 119.5 |
| | d | 55.5 | 55.5 | 55.5 | 62 | 62 | 62 |
| | e | 61 | 76 | 76 | 84 | 84 | 84 |
| | f1 | 5.3 | 5.3 | 5.3 | 5.1 | 5.1 | 5.1 |
| | f2 | 5.3 | 5.3 | 5.3 | 5.1 | 5.1 | 5.1 |
| | h | 139 | 139 | 136.5 | 160 | 160 | 156.5 |
| | i | 19.8 | 21.5 | 21.5 | 26.5 | 26.5 | 26.5 |
| | M | M20x | M25x | M25x | M25x | M32x | M32x |
| | Terminal for cond. cross section (mm ²) min.-max. | 1.5 | 1.5 | 1.5 | 1.5 | 1.5 | 1.5 |
| | | 1.5 | 1.5 | 1.5 | 2.5 | 2.5 | 2.5 |
| | | -4 | -4 | -4 | -6 | -6 | -6 |