

Panel mounted receptacle

Part number: 2180A



MENNEKES
Elektrotechnik GmbH & Co. KG

Aloys-Mennekes-Straße 1
57399 Kirchhundem
GERMANY

Product Description

- frame terminals
- X-CONTACT
- 20° inclination
- rubberised bayonet ring

Technical Details

| Panel mounted receptacle | 2180A |
|---------------------------------------|-----------------------|
| Ampere | 63A |
| Number of poles | 3p |
| Clock position | 6h |
| Nominal voltage AC | 230V |
| Nominal frequency | 50 - 60 Hz |
| Protection type IP | IP67 |
| Contact carrier | standard |
| X-CONTACT | yes |
| Connection | frame terminals |
| Contact screw drive | PZ2, slot |
| Pilot contact | without pilot contact |
| Pilot contact switch | no |
| Flange dimensions | 110 x 106 mm |
| Hole spacings | 85 x 77 mm |
| Insertion direction | angled |
| Inclination | 20° |
| Highly resistant to chemicals | no |
| Military version | no |
| Tightening torque connection terminal | 2 Nm |
| Conductor cross-section min. | 6 mm ² |
| Conductor cross-section max. | 25 mm ² |
| Weight (net) | 520 g |
| Packaging unit | 5 pcs |
| Quantity per pallet | 330 pcs |

| | |
|-----------------------------|---------------|
| Panel mounted receptacle | 2180A |
| EAN / identification number | 4015394013662 |

| Permissible ambient conditions | | |
|-----------------------------------|--------|-------|
| | Min. | Max. |
| Permissible ambient temperature | -25 °C | 40 °C |
| Average temperature over 24 hours | | 35 °C |

| Material properties | |
|---------------------|---|
| Housing | PC light grey [similar RAL 7035] |
| Hinged lid | PBT/PC blue [similar RAL 5007] |
| | TPE black [similar RAL 9005] |
| | PBT/PC squirrel grey [similar RAL 7000] |
| | TPE anthracite [similar RAL 7016] |

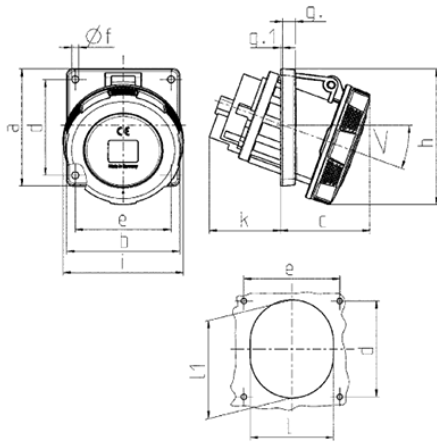
Material resistance

The material resistance overview can be found on the website in the section “Knowledge” - “Product knowledge” - “Materials”.

| Material and environmental properties | |
|---------------------------------------|----|
| RoHS 2011/65/EU incl. 2015/863/EU | ✓ |
| POP regulation (EU) 2019/1021 | ✓ |
| Halogen-free | no |

| Regulations and Standards | |
|---------------------------|--------------------|
| Norm | DIN EN IEC 60309-2 |
| Declaration of Conformity | CE |
| Test label | EAC, CQC |

Dimensional Drawing



| 1 MB 298 1 MB 601 Dim. in mm | Amp. Poles | 63 | | | 125 | | |
|---|---------------|----------|----------|----------|----------|----------|----------|
| | | 3 | 4 | 5 | 3 | 4 | 5 |
| a | | 110 | 110 | 110 | 114 | 114 | 114 |
| b | | 106 | 106 | 106 | 110 | 110 | 110 |
| c | | 85 | 85 | 85 | 75 | 75 | 75 |
| d | | 85 | 85 | 85 | 90 | 90 | 90 |
| e | | 77 | 77 | 77 | 90 | 90 | 90 |
| f | | 6.2 | 6.2 | 6.2 | 6.2 | 6.2 | 6.2 |
| g. | | 12 | 12 | 12 | 13 | 13 | 13 |
| g.1 | | 2 | 2 | 2 | 2 | 2 | 2 |
| h | | 128 | 128 | 128 | 133 | 133 | 133 |
| i | | 113 | 113 | 113 | 126 | 126 | 126 |
| k | | 67 | 67 | 67 | 103 | 103 | 103 |
| l | | 92 | 92 | 92 | 94 | 94 | 94 |
| l1 | | 98 | 98 | 98 | 107 | 107 | 107 |
| < | | 20° | 20° | 20° | 15° | 15° | 15° |
| Terminal for cond. cross section (mm ²) min.-max. | | 6 -25 | 6 -25 | 6 -25 | 25 70 | 25 70 | 25 70 |