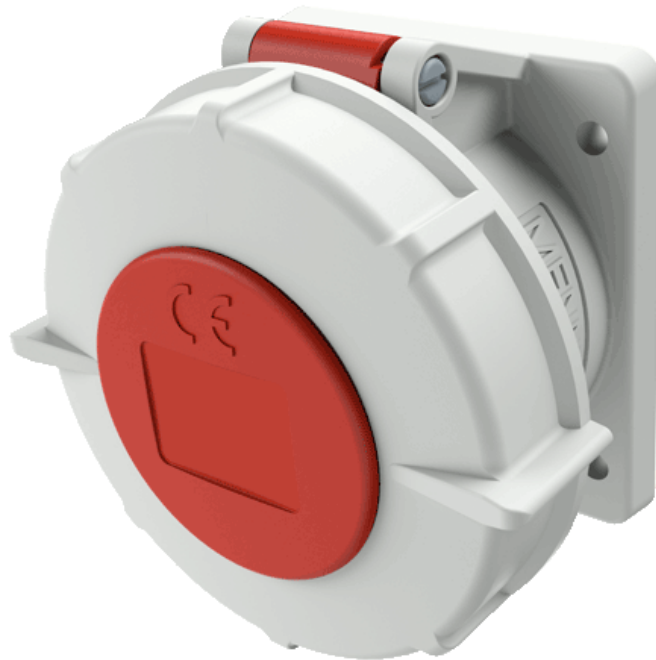


Panel mounted receptacle

Part number: 1814



MENNEKES
Elektrotechnik GmbH & Co. KG

Aloys-Mennekes-Straße 1
57399 Kirchhundem
GERMANY

Product Description

- screwless, with insulation displacement technology TwinCONTACT
- straight insertion direction
- suitable for through wiring

Technical Details

Panel mounted receptacle	1814
Ampere	32A
Number of poles	4p
Clock position	6h
Nominal voltage AC	400V
Nominal frequency	50 - 60 Hz
Protection type IP	IP67
Contact carrier	standard
X-CONTACT	no
Connection	insulation displacement technology - TwinCONTACT
Pilot contact	without pilot contact
Pilot contact switch	no
Flange dimensions	85 x 75 mm
Hole spacings	60 x 60 mm
Insertion direction	straight
Highly resistant to chemicals	no
Military version	no
Strip length jacket	120 mm
Strip length PH + N flexible conductor	12 - 18 mm
Strip length PE flexible conductor	12 - 18 mm
Strip length PH + N solid conductor	18 mm
Strip length PE solid conductor	18 mm
Conductor cross-section min.	2.5 mm ²
Conductor cross-section max.	6 mm ²
Weight (net)	120 g
Packaging unit	10 pcs
Quantity per pallet	660 pcs

Panel mounted receptacle	1814
EAN / identification number	4015394215226

Permissible ambient conditions

	Min.	Max.
Permissible ambient temperature	-25 °C	40 °C
Average temperature over 24 hours		35 °C

Material properties

Housing	PA6 light grey [similar RAL 7035]
Hinged lid	PA6 red [similar RAL 3013]
	TPE black [similar RAL 9005]
	PBT/PC squirrel grey [similar RAL 7000]

Material resistance

The material resistance overview can be found on the website in the section “Knowledge” - “Product knowledge” - “Materials”.

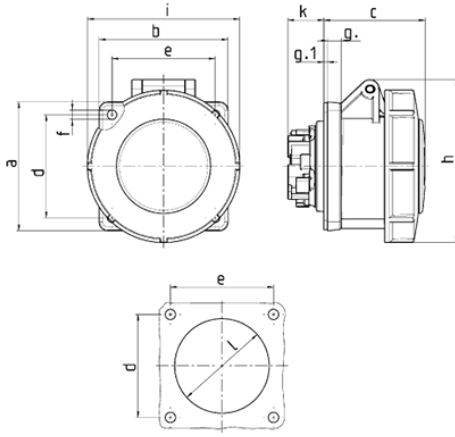
Material and environmental properties

RoHS 2011/65/EU incl. 2015/863/EU	✓
POP regulation (EU) 2019/1021	✓
Halogen-free	no

Regulations and Standards

Norm	DIN EN IEC 60309-2
Declaration of Conformity	CE
Test label	CB Zertifikat, VDE, EAC, CQC

Dimensional Drawing



Drawing	Amp. Poles	16			32		
		3	4	5	3	4	5
1 MB 467							
Dim. in mm	a	75	75	75	85	85	85
	b	75	75	75	75	75	75
	c	60	61	61	69	69	72
	d	60	60	60	60	60	60
	e	60	60	60	60	60	60
	f	5.5	5.5	5.5	5.5	5.5	5.5
	g.	8	8	8	8	8	8
	g.1	2	2	2	2	2	2
	h	83	88	95	99	99	105
	i	78	85	96	103	103	110
	k	21	21	21	28	28	38
	l	43	52	54	60	60	65
Terminal for cond. cross section (mm ²) min.-max.		1.5 —4	1.5 —4	1.5 —4	2.5 —6	2.5 —6	2.5 —6