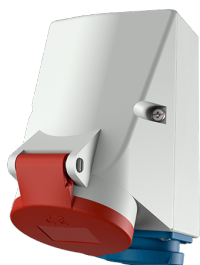


**Double Box with TwinCONTACT**  
Part no. 1650

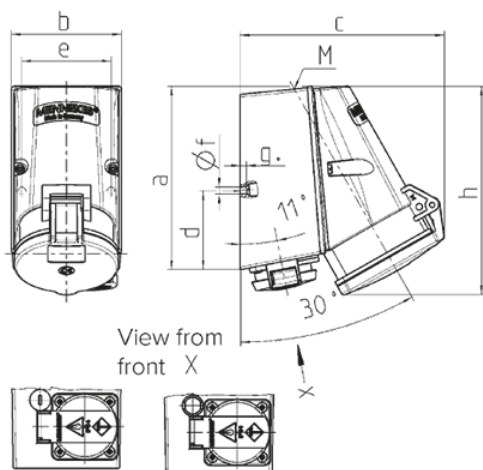


- screwless spring terminals
- CEE and receptacle SCHUKO® in one enclosure
- with fuse holder, max. 10 A

Technical specifications

CEE 16 A, 5 p, 400 V	1
SCHUKO®	1
Fusing	• with fuse holder, max. 10 A
Protection type	IP44
Shutter	false
Enclosure material	Plastic
Weight	400 g
Certifications	VDE

Drawing



Drawing	Amp.	16		32
		Poles		5
1 MB 354		4	5	5
Dim. in mm				
	a	141	141	141
	b	84	84	85
	c	136	140	158
	d	61	61	61
	e	68	68	68
	f	5.5	5.5	5.5
	g	5	5	5
	h	142	145	161
	M	25	25	25
Max. cable diam. (mm)		18	18	18
Terminal for cond. cross section (mm <sup>2</sup> ) min.-max.		1.5	1.5	2.5
		—4	—4	—10