

# Panel mounted receptacle

Part number: 1635



**MENNEKES**  
Elektrotechnik GmbH & Co. KG

Aloys-Mennekes-Straße 1  
57399 Kirchhundem  
GERMANY

# Product Description

- screwless, with insulation displacement technology TwinCONTACT
- 20° inclination
- suitable for through wiring

# Technical Details

Panel mounted receptacle	1635
Ampere	16A
Number of poles	3p
Clock position	2h
Nominal voltage AC	50 - 500V
Nominal frequency	300 - 500 Hz
Protection type IP	IP44
Contact carrier	standard
X-CONTACT	no
Connection	insulation displacement technology - TwinCONTACT
Pilot contact	without pilot contact
Pilot contact switch	no
Flange dimensions	73.5 x 64 mm
Hole spacings	60 x 52 mm
Insertion direction	angled
Inclination	20°
Highly resistant to chemicals	no
Military version	no
Strip length flexible conductor	12 mm
Strip length solid conductor	12 mm
Conductor cross-section min.	1.5 mm <sup>2</sup>
Conductor cross-section max.	4 mm <sup>2</sup>
Weight (net)	102 g
Packaging unit	10 pcs
Quantity per pallet	1520 pcs

Panel mounted receptacle	1635
EAN / identification number	4015394214373

Permissible ambient conditions		
	Min.	Max.
Permissible ambient temperature	-25 °C	40 °C
Average temperature over 24 hours		35 °C

Material properties	
Housing	PA6 light grey [similar RAL 7035]
Hinged lid	PC green [similar RAL 6010]

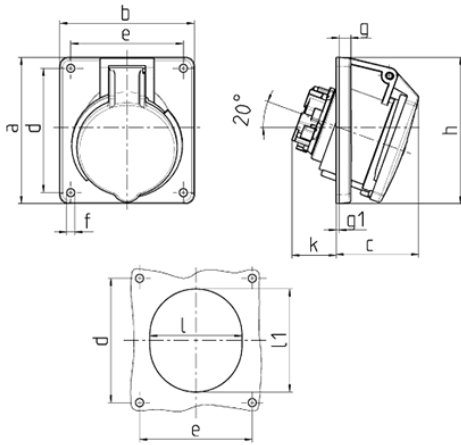
**Material resistance**

The material resistance overview can be found on the website in the section “Knowledge” - “Product knowledge” - “Materials”.

Material and environmental properties	
RoHS 2011/65/EU incl. 2015/863/EU	✓
POP regulation (EU) 2019/1021	✓
Halogen-free	no

Regulations and Standards	
Norm	DIN EN IEC 60309-2
Declaration of Conformity	CE
Test label	EAC

# Dimensional Drawing



Drawing 1 MB 465	Amp. Poles	16			32		
		3	4	5	3	4	5
Dim. in mm	a	73.5	100	100	100	100	100
	b	64	92	92	92	92	92
	c	52	58	58	61	61	60
	d	60	85	85	85	85	85
	e	52	77	77	77	77	77
	f	5.5	5.5	5.5	5.5	5.5	5.5
	g	7	8	8	8	8	8
	g.1	2	2	2	2	2	2
	h	79	100	100	103	103	105
	k	31	31	31	44	44	54
	l	52	55	65	70	70	73
	l1	60	63	72	82	82	85
Terminal for cond. cross section (mm <sup>2</sup> ) min.-max.		1.5 —4	1.5 —4	1.5 —4	2.5 —6	2.5 —6	2.5 —6