

# Panel mounted receptacle

Part number: 1632



**MENNEKES**  
Elektrotechnik GmbH & Co. KG

Aloys-Mennekes-Straße 1  
57399 Kirchhundem  
GERMANY

# Product Description

- screwless, with insulation displacement technology TwinCONTACT
- 20° inclination
- suitable for through wiring

# Technical Details

| Panel mounted receptacle        | 1632                                             |
|---------------------------------|--------------------------------------------------|
| Ampere                          | 16A                                              |
| Number of poles                 | 3p                                               |
| Clock position                  | 6h                                               |
| Nominal voltage AC              | 230V                                             |
| Nominal frequency               | 50 - 60 Hz                                       |
| Protection type IP              | IP44                                             |
| Contact carrier                 | standard                                         |
| X-CONTACT                       | no                                               |
| Connection                      | insulation displacement technology - TwinCONTACT |
| Pilot contact                   | without pilot contact                            |
| Pilot contact switch            | no                                               |
| Flange dimensions               | 73.5 x 64 mm                                     |
| Hole spacings                   | 60 x 52 mm                                       |
| Insertion direction             | angled                                           |
| Inclination                     | 20°                                              |
| Highly resistant to chemicals   | no                                               |
| Military version                | no                                               |
| Strip length flexible conductor | 12 mm                                            |
| Strip length solid conductor    | 12 mm                                            |
| Conductor cross-section min.    | 1.5 mm <sup>2</sup>                              |
| Conductor cross-section max.    | 4 mm <sup>2</sup>                                |
| Weight (net)                    | 100 g                                            |
| Packaging unit                  | 10 pcs                                           |
| Quantity per pallet             | 1520 pcs                                         |

|                             |               |
|-----------------------------|---------------|
| Panel mounted receptacle    | 1632          |
| EAN / identification number | 4015394210146 |

| Permissible ambient conditions    |        |       |
|-----------------------------------|--------|-------|
|                                   | Min.   | Max.  |
| Permissible ambient temperature   | -25 °C | 40 °C |
| Average temperature over 24 hours |        | 35 °C |

| Material properties |                                   |
|---------------------|-----------------------------------|
| Housing             | PA6 light grey [similar RAL 7035] |
| Hinged lid          | PC blue [similar RAL 5007]        |

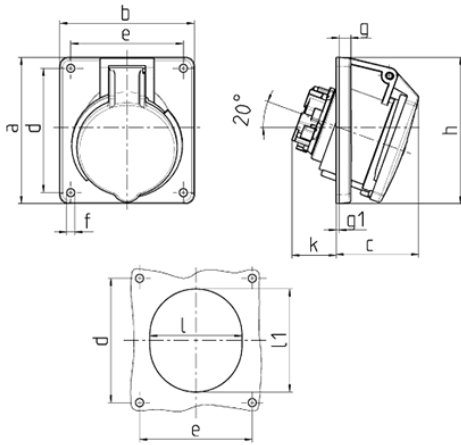
**Material resistance**

The material resistance overview can be found on the website in the section “Knowledge” - “Product knowledge” - “Materials”.

| Material and environmental properties |    |
|---------------------------------------|----|
| RoHS 2011/65/EU incl. 2015/863/EU     | ✓  |
| POP regulation (EU) 2019/1021         | ✓  |
| Halogen-free                          | no |

| Regulations and Standards |                              |
|---------------------------|------------------------------|
| Norm                      | DIN EN IEC 60309-2           |
| Declaration of Conformity | CE                           |
| Test label                | CB Zertifikat, VDE, EAC, CQC |

# Dimensional Drawing



| Drawing<br>1 MB 465                                           | Amp.<br>Poles | 16     |        |        | 32     |        |        |
|---------------------------------------------------------------|---------------|--------|--------|--------|--------|--------|--------|
|                                                               |               | 3      | 4      | 5      | 3      | 4      | 5      |
| Dim. in mm                                                    | a             | 73.5   | 100    | 100    | 100    | 100    | 100    |
|                                                               | b             | 64     | 92     | 92     | 92     | 92     | 92     |
|                                                               | c             | 52     | 58     | 58     | 61     | 61     | 60     |
|                                                               | d             | 60     | 85     | 85     | 85     | 85     | 85     |
|                                                               | e             | 52     | 77     | 77     | 77     | 77     | 77     |
|                                                               | f             | 5.5    | 5.5    | 5.5    | 5.5    | 5.5    | 5.5    |
|                                                               | g             | 7      | 8      | 8      | 8      | 8      | 8      |
|                                                               | g.1           | 2      | 2      | 2      | 2      | 2      | 2      |
|                                                               | h             | 79     | 100    | 100    | 103    | 103    | 105    |
|                                                               | k             | 31     | 31     | 31     | 44     | 44     | 54     |
|                                                               | l             | 52     | 55     | 65     | 70     | 70     | 73     |
|                                                               | l1            | 60     | 63     | 72     | 82     | 82     | 85     |
| Terminal for cond. cross section (mm <sup>2</sup> ) min.-max. |               | 1.5 —4 | 1.5 —4 | 1.5 —4 | 2.5 —6 | 2.5 —6 | 2.5 —6 |