

# Connector

# PowerTOP Xtra R

**Part Number: 14567**



## **MENNEKES**

Elektrotechnik GmbH & Co. KG  
Aloys-Mennekes-Straße 1  
57399 KIRCHHUNDEM GERMANY

# Product Description

- screw connection technology ErgoCONTACT
- X-CONTACT
- ergonomic enclosure design with nubbed grip zones
- highly heat resistant contact carrier
- nickel plated contacts
- rubberised cable gland with sealing
- strain relief and protection against kinking
- thread lock and safety slide
- area for self-adhesive labels

# Technical Details

Connector - PowerTOP Xtra R	14567
Product series	PowerTOP Xtra R
Ampere	16A
Number of Poles	5p
Clock position	2h
Voltage	50-500V
Hertz	300-500 Hz
Current Type	AC
Protection Type	IP54
Contact carrier	Nickel plated contacts Highly heat resistant contact carrier X-CONTACT
Pilot contact	Without pilot contact
Connection	Screw terminals - ErgoCONTACT
Screw drive contact screw	Combination head screw (PZ2 and slotted)
Conductor cross-section min.	1 mm <sup>2</sup>
Conductor cross-section max.	2,5 mm <sup>2</sup>

Cable kink protection	Integrated in cable gland
Protective grommet	Without protective grommet
Weight (net)	215g
EAN / Identification number	4015394293996

**Permissible ambient conditions**

Permanent ambient temperature min. - max.	-25 °C - +40 °C
---	-----------------

**Material properties**

Hinged lid	PC similar RAL 6010 green
Cover	PA6 similar RAL 7000 squirrel grey
Front part	PA6 similar RAL 6010 green

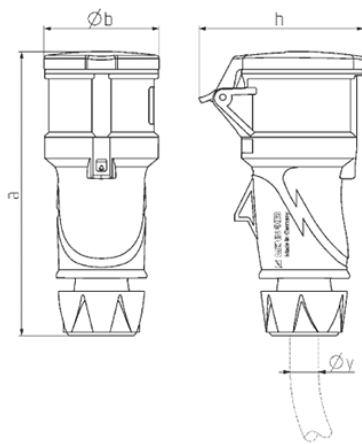
**Material resistance**

The material resistance overview can be found on the website in the section “Knowledge” → “Product knowledge” → “Materials”

### Regulations and Standards

RoHS 2011/65/EU incl. 2015/863/EU	✓
POP Regulation (EU) 2019/1021	✓
Norm(s)	IEC 60309-2
Declaration of conformity	CE
Certification	VDE, CQC

# Dimensional drawing



Zeichnung 3 MB 79	Amp. Pole	16			32		
		3	4	5	3	4	5
Maße in mm	a	165	177	174	211	211	209
	b	55	68	69	78	78	80
	h	72	93	98	100	100	108
y min		7	8	8	10,5	10,5	13,5
bis max. mm		-13	-15,5	-15,5	-18	-18	-20
Klemmen für Leiterquer-		1	1	1	2,5	2,5	2,5
schnitt von bis mm <sup>2</sup>		-2,5	-2,5	-2,5	-6	-6	-6