

Connector PowerTOP Xtra

Part Number: 14512



MENNEKES

Elektrotechnik GmbH & Co. KG
Aloys-Mennekes-Straße 1
57399 KIRCHHUNDEM GERMANY

Product Description

- screw connection technology ErgoCONTACT
- X-CONTACT
- ergonomic enclosure design with nubbed grip zones
- rubberised cable gland with sealing
- strain relief and protection against kinking
- thread lock and safety slide
- area for self-adhesive labels

Technical Details

Connector - PowerTOP Xtra	14512
Product series	PowerTOP Xtra
Ampere	32A
Number of Poles	3p
Clock position	4h
Voltage	110V
Hertz	50-60 Hz
Current Type	AC
Protection Type	IP54
Contact carrier	Standard X-CONTACT
Pilot contact	Without pilot contact
Connection	Screw terminals - ErgoCONTACT
Screw drive contact screw	Combination head screw (PZ2 and slotted)
Conductor cross-section min.	2,5 mm ²
Conductor cross-section max.	6 mm ²

Cable kink protection	Integrated in cable gland
Protective grommet	Without protective grommet
Weight (net)	370g
EAN / Identification number	4015394305552

Permissible ambient conditions

Permanent ambient temperature min. - max.	-25 °C - +40 °C
---	-----------------

Material properties

Hinged lid	PC similar RAL 1021 yellow
Cover	PA6 similar RAL 7000 squirrel grey
Front part	PA6 similar RAL 1021 yellow

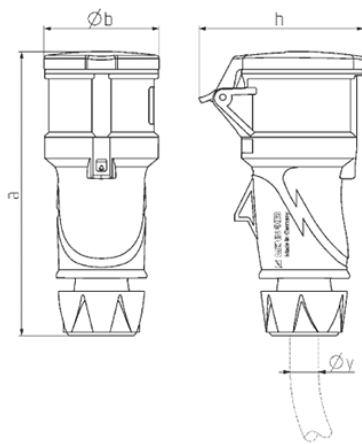
Material resistance

The material resistance overview can be found on the website in the section “Knowledge” → “Product knowledge” → “Materials”

Regulations and Standards

RoHS 2011/65/EU incl. 2015/863/EU	✓
POP Regulation (EU) 2019/1021	✓
Norm(s)	IEC 60309-2
Declaration of conformity	CE
Certification	-

Dimensional drawing



Zeichnung 3 MB 79	Amp. Pole	16			32		
		3	4	5	3	4	5
Maße in mm	a	165	177	174	211	211	209
	b	55	68	69	78	78	80
	h	72	93	98	100	100	108
y min		7	8	8	10,5	10,5	13,5
bis max. mm		-13	-15,5	-15,5	-18	-18	-20
Klemmen für Leiterquer-		1	1	1	2,5	2,5	2,5
schnitt von bis mm ²		-2,5	-2,5	-2,5	-6	-6	-6