

# Connector PowerTOP Xtra

Part number: 14217



**MENNEKES**  
Elektrotechnik GmbH & Co. KG

Aloys-Mennekes-Straße 1  
57399 Kirchhundem  
GERMANY

## Product Description

- economic enclosure design with nubbed grip areas
- enclosure with thread lock and safety slide
- rubberised bayonet ring
- X-CONTACT
- frame terminals
- protection against kinking
- strain relief
- rubberised cable gland with sealing

## Technical Details

Connector PowerTOP Xtra	14217
Product serie	PowerTOP Xtra
Ampere	125A
Number of poles	4p
Clock position	4h
Nominal voltage AC	110V
Nominal frequency	50 - 60 Hz
Protection type IP	IP67
Contact carrier	standard
X-CONTACT	yes
Connection	frame terminals
Contact screw drive	allen key
Tightening torque connection terminal	10 Nm
Recommended wire end treatment for supply cable connection terminal	usable with and without ferrule
Strip length jacket	110 mm
Strip length conductor PH + N	27 mm
Strip length conductor PE	27 mm
Pilot contact	without pilot contact
Conductor cross-section min.	25 mm <sup>2</sup>
Conductor cross-section max.	50 mm <sup>2</sup>
Cable kink protection	integrated in cable gland

Connector PowerTOP Xtra	14217
Protective grommet	without protective grommet
Weight (net)	1514 g
Packaging unit	5 pcs
Quantity per pallet	160 pcs
EAN / identification number	4015394240983

Permissible ambient conditions

	Min.	Max.
Permanent ambient temperature	-25 °C	40 °C

Material properties

Cover	PBT/PC squirrel grey [similar RAL 7000]
	TPE anthracite [similar RAL 7016]
Front part	PBT/PC yellow [similar RAL 1021]
Hinged lid	PBT/PC yellow [similar RAL 1021]
	TPE black [similar RAL 9005]
	PBT/PC squirrel grey [similar RAL 7000]
Clamp basket	TPE anthracite [similar RAL 7016]
	PBT/PC squirrel grey [similar RAL 7000]
Fastening	TPE natural colour [no RAL colour code]
	PBT/PC squirrel grey [similar RAL 7000]
	TPE anthracite [similar RAL 7016]

Material resistance

The material resistance overview can be found on the website in the section “Knowledge” - “Product knowledge” - “Materials”.

Material and environmental properties

RoHS 2011/65/EU incl. 2015/863/EU	✓
-----------------------------------	---

Material and enviromental properties

POP regulation (EU) 2019/1021

✓

Regulations and Standards

Norm

DIN EN IEC 60309-2

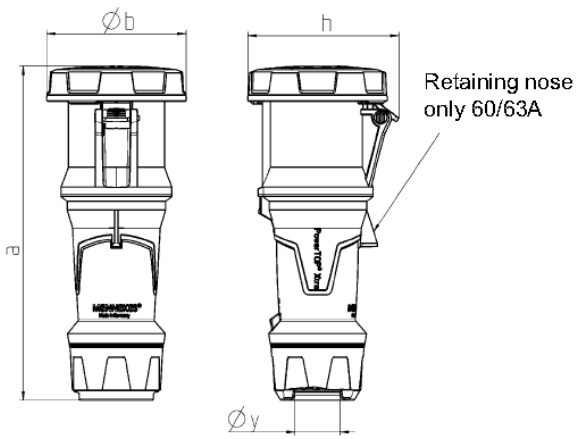
Declaration of Conformity

CE

Test label

CB Zertifikat, VDE, EAC, CQC

# Dimensional Drawing



Drawing 3 MB 68	Amp. Poles	63			125		
		3	4	5	3	4	5
Dim. in mm	a	270	270	270	310	310	310
	b	113	113	113	125	125	125
	h	123	123	123	135	135	135
	y	36	36	36	49	49	49
Terminal for cond. cross		6	6	6	25	25	25
section (mm <sup>2</sup> ) min.-max.		—16	—16	—16	—50	—50	—50