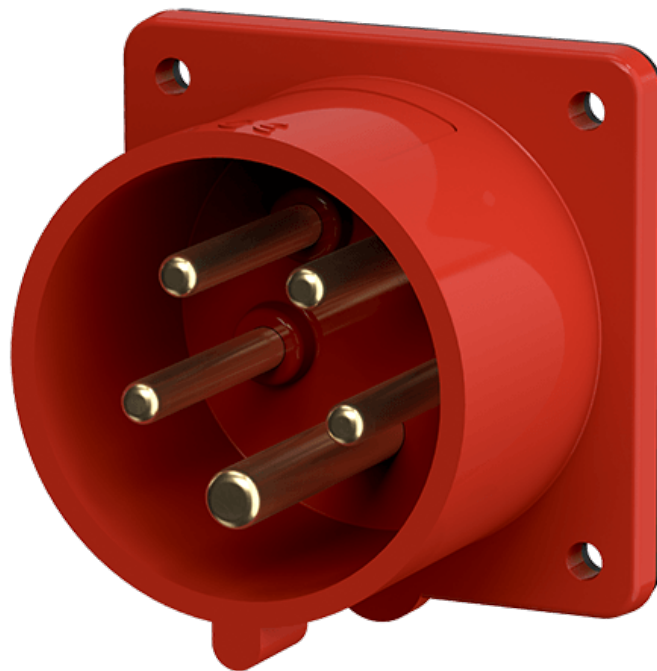


Panel mounted inlet

Part number: 1409



MENNEKES
Elektrotechnik GmbH & Co. KG

Aloys-Mennekes-Straße 1
57399 Kirchhundem
GERMANY

Product Description

- screw connection technology
- external fixing
- a retaining nose to hold the hinged lid of the connector must be provided by the customer in order to ensure satisfactory locking

Technical Details

| Panel mounted inlet | 1409 |
|---------------------------------------|------------------------|
| Ampere | 32A |
| Number of poles | 5p |
| Clock position | 6h |
| Nominal voltage AC | 400V |
| Nominal frequency | 50 - 60 Hz |
| Protection type IP | IP44 |
| Contact carrier | standard |
| Connection | screw terminals |
| Tightening torque connection terminal | PZ2, slot |
| Phase inverter | without phase inverter |
| Pilot contact | without pilot contact |
| Flange dimensions | 72 x 72 mm |
| Hole spacings | 60 x 60 mm |
| Insertion direction | straight |
| Type of mounting | external fixing |
| Military version | no |
| Protection cap | without protection cap |
| Conductor cross-section min. | 2.5 mm ² |
| Conductor cross-section max. | 6 mm ² |
| Weight (net) | 173 g |
| Packaging unit | 10 Stück |
| Quantity per pallet | 1520 Stück |
| EAN / identification number | 4015394010395 |

Permissible ambient conditions

| | Min. | Max. |
|-----------------------------------|--------|-------|
| Permanent ambient temperature | -25 °C | 40 °C |
| Average temperature over 24 hours | | 35 °C |

Material properties

| | |
|---------|----------------------------|
| Housing | PA6 red [similar RAL 3013] |
|---------|----------------------------|

Material resistance

The material resistance overview can be found on the website in the section “Knowledge” - “Product knowledge” - “Materials”.

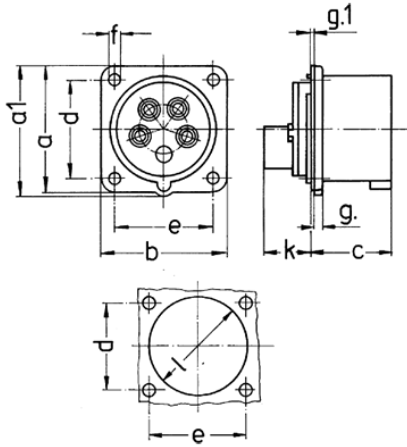
Material and enviromental properties

| | |
|-----------------------------------|---|
| RoHS 2011/65/EU incl. 2015/863/EU | ✓ |
| POP regulation (EU) 2019/1021 | ✓ |

Regulations and Standards

| | |
|---------------------------|--------------------|
| Norm | DIN EN IEC 60309-2 |
| Declaration of Conformity | CE |
| Test label | VDE (ÜG), EAC, CQC |

Dimensional Drawing



| Drawing | Amp. | 16 | 32 |
|------------|---|-----------|-----------|
| 2 MB 68 | Poles | 5 | 5 |
| Dim. in mm | a | 66 | 72 |
| | a1 | 69 | 78 |
| | b | 66 | 72 |
| | c | 43 | 52 |
| | d | 52 | 60 |
| | e | 52 | 60 |
| | f | 4.5 | 4.5 |
| | g. | 4.5 | 4.5 |
| | g.1 | 2 | 2 |
| | k | 27 | 32 |
| | l | 59 | 63 |
| | Terminal for cond. cross section (mm ²) min.-max. | 1 -2.5 | 2.5 -6 |