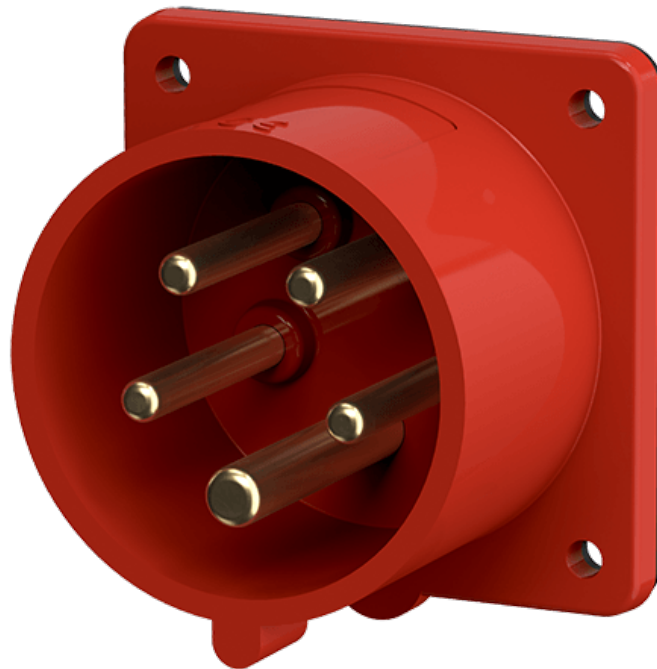


# Panel mounted inlet

Part number: 1408



**MENNEKES**  
Elektrotechnik GmbH & Co. KG

Aloys-Mennekes-Straße 1  
57399 Kirchhundem  
GERMANY

## Product Description

- screw connection technology
- external fixing
- a retaining nose to hold the hinged lid of the connector must be provided by the customer in order to ensure satisfactory locking

## Technical Details

Panel mounted inlet	1408
Ampere	16A
Number of poles	5p
Clock position	6h
Nominal voltage AC	400V
Nominal frequency	50 - 60 Hz
Protection type IP	IP44
Contact carrier	standard
Connection	screw terminals
Tightening torque connection terminal	PZ2, slot
Phase inverter	without phase inverter
Pilot contact	without pilot contact
Flange dimensions	66 x 66 mm
Hole spacings	52 x 52 mm
Insertion direction	straight
Type of mounting	external fixing
Military version	no
Protection cap	without protection cap
Conductor cross-section min.	1 mm <sup>2</sup>
Conductor cross-section max.	2.5 mm <sup>2</sup>
Weight (net)	117 g
Packaging unit	10 Stück
Quantity per pallet	2080 Stück
EAN / identification number	4015394010388

Permissible ambient conditions

	Min.	Max.
Permanent ambient temperature	-25 °C	40 °C
Average temperature over 24 hours		35 °C

Material properties

Housing	PA6 red [similar RAL 3013]
---------	----------------------------

Material resistance

The material resistance overview can be found on the website in the section “Knowledge” - “Product knowledge” - “Materials”.

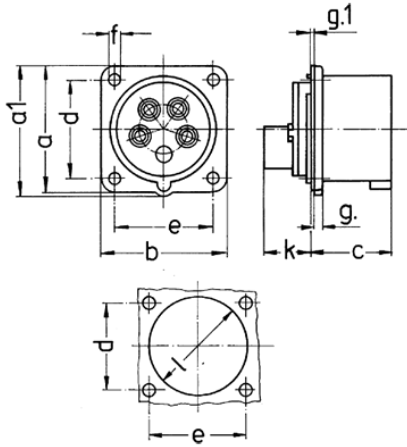
Material and enviromental properties

RoHS 2011/65/EU incl. 2015/863/EU	✓
POP regulation (EU) 2019/1021	✓

Regulations and Standards

Norm	DIN EN IEC 60309-2
Declaration of Conformity	CE
Test label	VDE (ÜG), EAC

# Dimensional Drawing



Drawing	Amp.	16	32
2 MB 68	Poles	5	5
Dim. in mm	a	66	72
	a1	69	78
	b	66	72
	c	43	52
	d	52	60
	e	52	60
	f	4.5	4.5
	g.	4.5	4.5
	g.1	2	2
	k	27	32
	l	59	63
	Terminal for cond. cross section (mm <sup>2</sup> ) min.-max.	1 -2.5	2.5 -6