

# Panel mounted receptacle

Part number: 1168



**MENNEKES**  
Elektrotechnik GmbH & Co. KG

Aloys-Mennekes-Straße 1  
57399 Kirchhundem  
GERMANY

# Product Description

- screwless, with insulation displacement technology TwinCONTACT
- 20° inclination
- suitable for through wiring
- receptacle is designed for adding an auxiliary contact switch

# Technical Details

Panel mounted receptacle	1168
Ampere	16A
Number of poles	3p
Clock position	6h
Nominal voltage AC	230V
Nominal frequency	50 - 60 Hz
Protection type IP	IP67
Contact carrier	standard
X-CONTACT	no
Connection	insulation displacement technology - TwinCONTACT
Pilot contact	without pilot contact
Pilot contact switch	no
Flange dimensions	85 x 85 mm
Hole spacings	70 x 70 mm
Insertion direction	angled
Inclination	20°
Highly resistant to chemicals	no
Military version	no
Strip length flexible conductor	12 mm
Strip length solid conductor	12 mm
Conductor cross-section min.	1.5 mm <sup>2</sup>
Conductor cross-section max.	4 mm <sup>2</sup>
Weight (net)	120 g
Packaging unit	10 pcs
Quantity per pallet	880 pcs

Panel mounted receptacle	1168
EAN / identification number	4015394221487

Permissible ambient conditions		
	Min.	Max.
Permissible ambient temperature	-25 °C	40 °C
Average temperature over 24 hours		35 °C

Material properties	
Housing	PA6 light grey [similar RAL 7035]
Hinged lid	PA6 blue [similar RAL 5007]
	TPE black [similar RAL 9005]
	PBT/PC squirrel grey [similar RAL 7000]

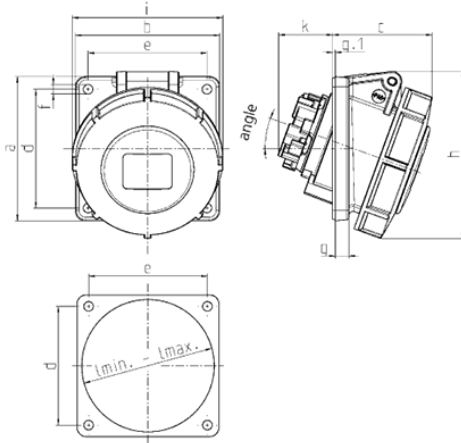
**Material resistance**

The material resistance overview can be found on the website in the section “Knowledge” - “Product knowledge” - “Materials”.

Material and environmental properties	
RoHS 2011/65/EU incl. 2015/863/EU	✓
POP regulation (EU) 2019/1021	✓
Halogen-free	no

Regulations and Standards	
Norm	DIN EN IEC 60309-2
Declaration of Conformity	CE
Test label	CB Zertifikat, VDE, EAC, CQC

# Dimensional Drawing



Drawing	Amp.	16			32		
		3	4	5	3	4	5
<b>1 MB 520</b>	<b>Poles</b>						
<b>Dim. in mm</b>	<b>a</b>	85	85	85	85	85	85
	<b>b</b>	85	85	85	85	85	85
	<b>c</b>	56	59	59	64	64	71
	<b>d</b>	70	70	70	70	70	70
	<b>e</b>	70	70	70	70	70	70
	<b>f</b>	5.5	5.5	5.5	5.5	5.5	5.5
	<b>g</b>	8	8	8	8	8	8
	<b>g.1</b>	2	2	2	2	2	2
	<b>h</b>	87	91	99	103	103	110
	<b>i</b>	78	85	89	103	103	106
	<b>k</b>	32	32	33	44	44	49
	<b>l min.</b>	57	64	70	78	78	78
	<b>l max.</b>	76	76	76	78	78	78
	<b>Terminal for cond. cross section (mm<sup>2</sup>) min.-max.</b>	1.5	1.5	1.5	2.5	2.5	2.5
		-4	-4	-4	-6	-6	-6