

Panel mounted receptacle

Part number: 1152A



MENNEKES
Elektrotechnik GmbH & Co. KG

Aloys-Mennekes-Straße 1
57399 Kirchhundem
GERMANY

Product Description

- frame terminals
- X-CONTACT
- 20° inclination

Technical Details

| Panel mounted receptacle | 1152A |
|---------------------------------------|-----------------------|
| Ampere | 63A |
| Number of poles | 4p |
| Clock position | 7h |
| Nominal voltage AC | 500V |
| Nominal frequency | 50 - 60 Hz |
| Protection type IP | IP44 |
| Contact carrier | standard |
| X-CONTACT | yes |
| Connection | frame terminals |
| Contact screw drive | PZ2, slot |
| Pilot contact | without pilot contact |
| Pilot contact switch | no |
| Flange dimensions | 110 x 106 mm |
| Hole spacings | 85 x 77 mm |
| Insertion direction | angled |
| Inclination | 20° |
| Highly resistant to chemicals | no |
| Military version | no |
| Tightening torque connection terminal | 2 Nm |
| Conductor cross-section min. | 6 mm ² |
| Conductor cross-section max. | 25 mm ² |
| Weight (net) | 569 g |
| Packaging unit | 5 pcs |
| Quantity per pallet | 330 pcs |

| | |
|-----------------------------|---------------|
| Panel mounted receptacle | 1152A |
| EAN / identification number | 4015394007821 |

| Permissible ambient conditions | | |
|-----------------------------------|--------|-------|
| | Min. | Max. |
| Permissible ambient temperature | -25 °C | 40 °C |
| Average temperature over 24 hours | | 35 °C |

| Material properties | |
|---------------------|----------------------------------|
| Housing | PC light grey [similar RAL 7035] |
| Hinged lid | PC black [similar RAL 9005] |

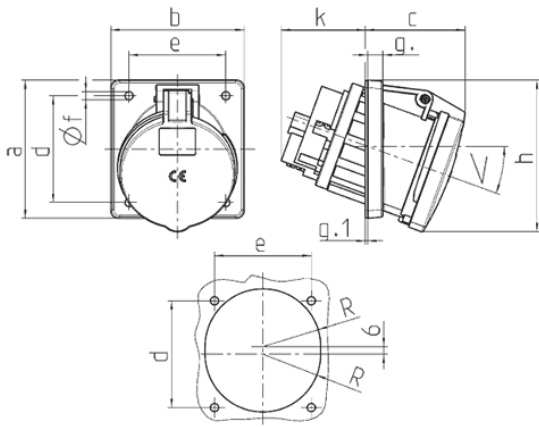
Material resistance

The material resistance overview can be found on the website in the section “Knowledge” - “Product knowledge” - “Materials”.

| Material and environmental properties | |
|---------------------------------------|----|
| RoHS 2011/65/EU incl. 2015/863/EU | ✓ |
| POP regulation (EU) 2019/1021 | ✓ |
| Halogen-free | no |

| Regulations and Standards | |
|---------------------------|--------------------|
| Norm | DIN EN IEC 60309-2 |
| Declaration of Conformity | CE |
| Test label | EAC, CQC |

Dimensional Drawing



| Drawing 1 MB 297 | Amp. Poles | 63 | | |
|---|---------------|----------|----------|----------|
| | | 3 | 4 | 5 |
| Dim. in mm | a | 110 | 110 | 110 |
| | b | 106 | 106 | 106 |
| | c | 82 | 82 | 82 |
| | d | 85 | 85 | 85 |
| | e | 77 | 77 | 77 |
| | f | 6.5 | 6.5 | 6.5 |
| | g. | 12 | 12 | 12 |
| | g.1 | 2 | 2 | 2 |
| | h | 122 | 122 | 122 |
| | k | 69 | 69 | 69 |
| | R | 46 | 46 | 46 |
| | α | 20° | 20° | 20° |
| Terminal for cond. cross section (mm ²) min.-max. | | 6 —25 | 6 —25 | 6 —25 |