

Panel mounted receptacle

Part number: 1131



MENNEKES
Elektrotechnik GmbH & Co. KG

Aloys-Mennekes-Straße 1
57399 Kirchhundem
GERMANY

Product Description

- screwless, with insulation displacement technology TwinCONTACT
- straight insertion direction
- suitable for through wiring

Technical Details

| Panel mounted receptacle | 1131 |
|---------------------------------|--|
| Ampere | 16A |
| Number of poles | 5p |
| Clock position | 6h |
| Nominal voltage AC | 400V |
| Nominal frequency | 50 - 60 Hz |
| Protection type IP | IP67 |
| Contact carrier | standard |
| X-CONTACT | no |
| Connection | insulation displacement technology - TwinCONTACT |
| Pilot contact | without pilot contact |
| Pilot contact switch | no |
| Flange dimensions | 75 x 75 mm |
| Hole spacings | 60 x 60 mm |
| Insertion direction | straight |
| Highly resistant to chemicals | no |
| Military version | no |
| Strip length flexible conductor | 12 mm |
| Strip length solid conductor | 12 mm |
| Conductor cross-section min. | 1.5 mm ² |
| Conductor cross-section max. | 4 mm ² |
| Weight (net) | 192 g |
| Packaging unit | 10 pcs |
| Quantity per pallet | 880 pcs |
| EAN / identification number | 4015394206170 |

Permissible ambient conditions

| | Min. | Max. |
|-----------------------------------|--------|-------|
| Permissible ambient temperature | -25 °C | 40 °C |
| Average temperature over 24 hours | | 35 °C |

Material properties

| | |
|------------|---|
| Housing | PC light grey [similar RAL 7035] |
| Hinged lid | PA6 red [similar RAL 3013] |
| | TPE black [similar RAL 9005] |
| | PBT/PC squirrel grey [similar RAL 7000] |

Material resistance

The material resistance overview can be found on the website in the section “Knowledge” - “Product knowledge” - “Materials”.

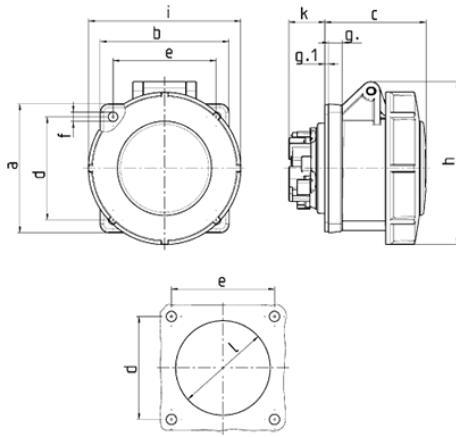
Material and environmental properties

| | |
|-----------------------------------|-----|
| RoHS 2011/65/EU incl. 2015/863/EU | ✓ |
| POP regulation (EU) 2019/1021 | ✓ |
| Halogen-free | yes |

Regulations and Standards

| | |
|---------------------------|------------------------------|
| Norm | DIN EN IEC 60309-2 |
| Declaration of Conformity | CE |
| Test label | CB Zertifikat, VDE, EAC, CQC |

Dimensional Drawing



| Drawing 1 MB 467 | Amp. Poles | 16 | | | 32 | | |
|---|---------------|--------|--------|--------|--------|--------|--------|
| | | 3 | 4 | 5 | 3 | 4 | 5 |
| Dim. in mm | a | 75 | 75 | 75 | 85 | 85 | 85 |
| | b | 75 | 75 | 75 | 75 | 75 | 75 |
| | c | 60 | 61 | 61 | 69 | 69 | 72 |
| | d | 60 | 60 | 60 | 60 | 60 | 60 |
| | e | 60 | 60 | 60 | 60 | 60 | 60 |
| | f | 5.5 | 5.5 | 5.5 | 5.5 | 5.5 | 5.5 |
| | g. | 8 | 8 | 8 | 8 | 8 | 8 |
| | g.1 | 2 | 2 | 2 | 2 | 2 | 2 |
| | h | 83 | 88 | 95 | 99 | 99 | 105 |
| | i | 78 | 85 | 96 | 103 | 103 | 110 |
| | k | 21 | 21 | 21 | 28 | 28 | 38 |
| | l | 43 | 52 | 54 | 60 | 60 | 65 |
| Terminal for cond. cross section (mm ²) min.-max. | | 1.5 —4 | 1.5 —4 | 1.5 —4 | 2.5 —6 | 2.5 —6 | 2.5 —6 |