

# Wall mounted receptacle

Part number: 107



**MENNEKES**  
Elektrotechnik GmbH & Co. KG

Aloys-Mennekes-Straße 1  
57399 Kirchhundem  
GERMANY

# Product Description

- screw connection technology
- internal fixing
- 25° inclination
- enclosure can be turned 180°

# Technical Details

Wall mounted receptacle	107
Ampere	16A
Number of poles	4p
Clock position	10h
Nominal voltage AC	50 - 500V
Nominal frequency	100 - 300 Hz
Protection type IP	IP44
Contact carrier	standard
X-CONTACT	no
Connection	screw terminals
Contact screw drive	PZ2, slot
Screw drive external screws	PZ2, slot
Pilot contact	without pilot contact
Pilot contact switch	no
Cable entry at the top	1 x M20
Cable entry at the bottom	1 x M20 (blind)
Blind cable entry at the rear	no
Enclosure base can be turned 180°	yes
Insertion direction	angled
Inclination	25°
Type of mounting	internal fixing
Highly resistant to chemicals	no
Military version	no
Lockable	no
Tightening torque connection terminal for cable cross-section 1,0 - 1,5 mm <sup>2</sup>	0.6 Nm

<b>Wall mounted receptacle</b>	<b>107</b>
Tightening torque connection terminal for cable cross-section 2,5 - 4,0 mm <sup>2</sup>	0.8 Nm
Tightening torque connection terminal for cable cross-section 6 - 10 mm <sup>2</sup>	1.2 Nm
Strip length PH + N solid conductor	8 - 10 mm
Strip length PE solid conductor	12 - 17 mm
Conductor cross-section min.	1.5 mm <sup>2</sup>
Conductor cross-section max.	4 mm <sup>2</sup>
Weight (net)	236 g
Packaging unit	10 pcs
Quantity per pallet	660 pcs
EAN / identification number	4015394000464

<b>Permissible ambient conditions</b>		
	<b>Min.</b>	<b>Max.</b>
Permissible ambient temperature	-25 °C	40 °C
Average temperature over 24 hours		35 °C

<b>Material properties</b>	
Base	PA6 light grey [similar RAL 7035]
Upper part	PA6 light grey [similar RAL 7035]
Hinged lid	PA6 green [similar RAL 6010]
External screws	steel galvanised

**Material resistance**

The material resistance overview can be found on the website in the section “Knowledge” - “Product knowledge” - “Materials”.

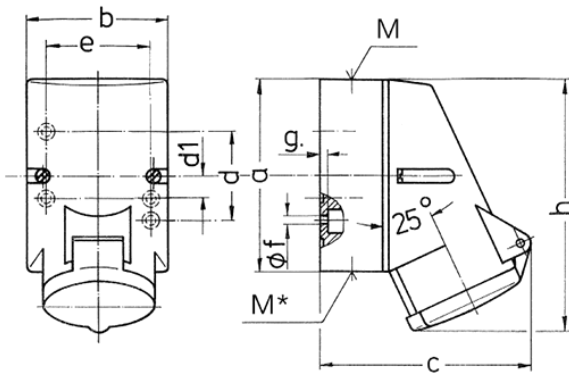
Material and environmental properties

RoHS 2011/65/EU incl. 2015/863/EU	✓
POP regulation (EU) 2019/1021	✓
Halogen-free	yes

Regulations and Standards

Norm	DIN EN IEC 60309-2
Declaration of Conformity	CE
Test label	CB Zertifikat, VDE, EAC, CQC

# Dimensional Drawing



Drawing	Amp.	16		
		Poles		
1 MB 209		3	4	5
Dim. in mm	a	87	100	100
	b	64	75	75
	c	99	110	113
	d	40	-	-
	d1	-	11	11
	e	50	59	59
	f	4.5	5	5
	g	4	4	4
	h	115	125	128
	M	20	20	20
	M*	M20 (blind) to be cut out		
	Max. cable diam. (mm)	15	15	15
Terminal for cond. cross section (mm <sup>2</sup> ) min.-max.	1.5	1.5	1.5	
	-4	-4	-4	

# Wall mounted receptacle

Part number: 107



**MENNEKES**  
Elektrotechnik GmbH & Co. KG

Aloys-Mennekes-Straße 1  
57399 Kirchhundem  
GERMANY

[www.MENNEKES.org](http://www.MENNEKES.org)

# Product Description

- screw connection technology
- internal fixing
- 25° inclination
- enclosure can be turned 180°

# Technical Details

Wall mounted receptacle	107
Ampere	16A
Number of poles	4p
Clock position	10h
Nominal voltage AC	50 - 500V
Nominal frequency	100 - 300 Hz
Protection type IP	IP44
Contact carrier	standard
X-CONTACT	no
Connection	screw terminals
Contact screw drive	PZ2, slot
Screw drive external screws	PZ2, slot
Pilot contact	without pilot contact
Pilot contact switch	no
Cable entry at the top	1 x M20
Cable entry at the bottom	1 x M20 (blind)
Blind cable entry at the rear	no
Enclosure base can be turned 180°	yes
Insertion direction	angled
Inclination	25°
Type of mounting	internal fixing
Highly resistant to chemicals	no
Military version	no
Lockable	no
Tightening torque connection terminal for cable cross-section 1,0 - 1,5 mm <sup>2</sup>	0.6 Nm

<b>Wall mounted receptacle</b>	<b>107</b>
Tightening torque connection terminal for cable cross-section 2,5 - 4,0 mm <sup>2</sup>	0.8 Nm
Tightening torque connection terminal for cable cross-section 6 - 10 mm <sup>2</sup>	1.2 Nm
Strip length PH + N solid conductor	8 - 10 mm
Strip length PE solid conductor	12 - 17 mm
Conductor cross-section min.	1.5 mm <sup>2</sup>
Conductor cross-section max.	4 mm <sup>2</sup>
Weight (net)	236 g
Packaging unit	10 pcs
Quantity per pallet	660 pcs
EAN / identification number	4015394000464

Permissible ambient conditions	Min.	Max.
	Permissible ambient temperature	-25 °C
Average temperature over 24 hours		35 °C

Material properties	
Base	PA6 light grey [similar RAL 7035]
Upper part	PA6 light grey [similar RAL 7035]
Hinged lid	PA6 green [similar RAL 6010]
External screws	steel galvanised

**Material resistance**

The material resistance overview can be found on the website in the section “Knowledge” - “Product knowledge” - “Materials”.

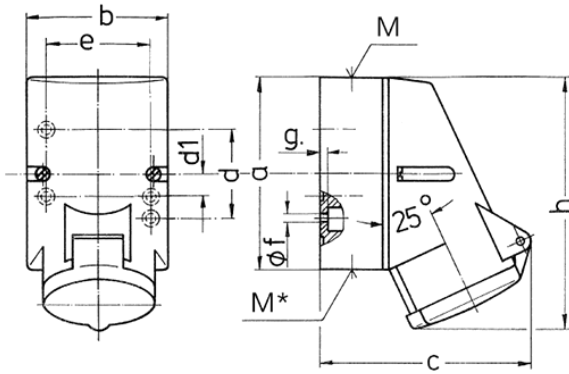
Material and environmental properties

RoHS 2011/65/EU incl. 2015/863/EU	✓
POP regulation (EU) 2019/1021	✓
Halogen-free	yes

Regulations and Standards

Norm	DIN EN IEC 60309-2
Declaration of Conformity	CE
Test label	CB Zertifikat, VDE, EAC, CQC

# Dimensional Drawing



Drawing	Amp.	16		
		Poles		
1 MB 209		3	4	5
Dim. in mm	a	87	100	100
	b	64	75	75
	c	99	110	113
	d	40	-	-
	d1	-	11	11
	e	50	59	59
	f	4.5	5	5
	g.	4	4	4
	h	115	125	128
	M	20	20	20
	M*	M20 (blind) to be cut out		
	Max. cable diam. (mm)	15	15	15
	Terminal for cond. cross section (mm <sup>2</sup> ) min.-max.	1.5	1.5	1.5
	-4	-4	-4	